

How to Build a Jewelry Box

Materials

Purchase the following:

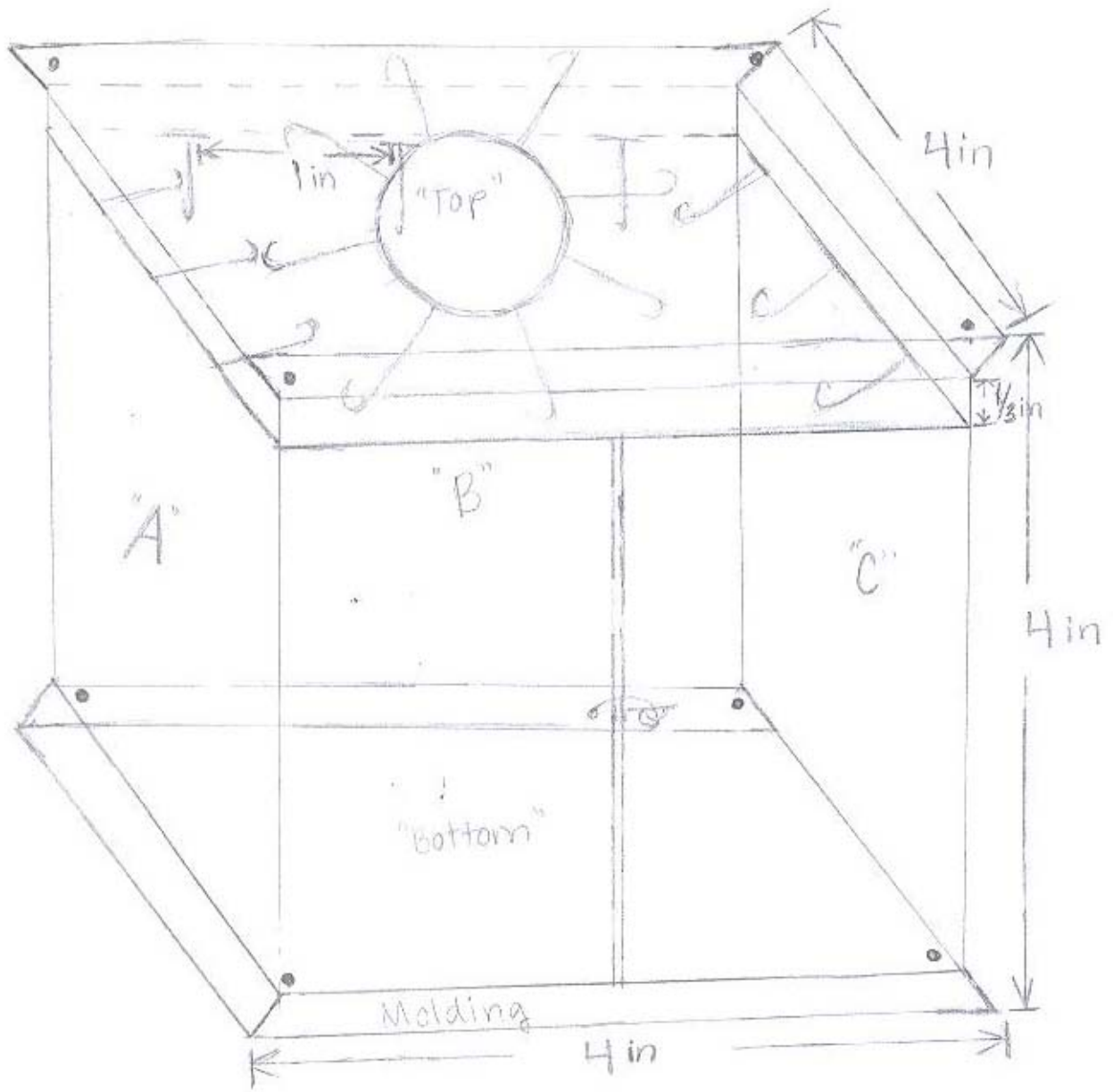
- ✓ 24 x 48 inch piece, ½ inch thick mahogany wood
- ✓ 4 brass hinge packets (includes screws)
- ✓ A pack of 14 brass flat head, 6mm screws
- ✓ A hooked swivel necklace wheel small enough to fit within 12 x 12. The wheel should have 8 hooks on it.
- ✓ 9, ½ inch small brass decorative screw-in hooks
- ✓ 1, 1 inch decorative latch and hook set for double doors on jewelry box
- ✓ Wood glue
- ✓ 96 inches of decorative molding to cover the top and bottom of the box
- ✓ Extra fine grit sand paper
- ✓ 12oz bottle of Linseed oil
- ✓ Jig saw
- ✓ 1 small Phillips head screw-driver

Instructions:

1. Using the jig saw, cut the mahogany wood into six, 12 x 12 inch pieces.
2. After cutting, use the sand paper to sand the rough edges.
3. Once sanded, rub Linseed oil on each 12 x 12 inch piece.
4. Choose which of the six boards will be the top and bottom, and label them lightly with a pencil "top" and "bottom". The remaining boards will be used as the walls.
5. Then, mark and place pilot ^{hole ?}holes at the corners of the boards labeled "top" and "bottom".
6. Mark then screw the hooked swivel necklace wheel in the center of the top piece.
7. Mark, and screw in three hooks 3 inches apart from each other on three of the side walls.
Make sure the hooks are 1 inch from the top of the side wall.
8. Once the hooks are screwed securely, label lightly with a pencil "A", "B", and "C" on each of the walls.

9. The fourth side wall will be used to cut the doors; therefore, it will not contain any hooks.
10. On the fourth wall, using the jig saw, cut 11 inches from the bottom of the board. 1 inch should remain on the top of the board.
11. Then, cut, with the jig saw, two doors with a width of $5 \frac{31}{32}$ inches, and 11 inches tall. There should be excess wood. One piece of wood should be 1 inch, which will be used. And there should be piece of wood measured 1mm that will not be used.
12. Sand the rough edges of the doors.
13. Mark and screw hinges 2 inches from the top and 2 inches from the bottom on both doors.
14. After the hinges are attached to the doors, Mark and screw the decorative latch and hook set $5 \frac{1}{2}$ inches from the top and $4 \frac{15}{32}$ inches from the side.
15. The hook and latch should be on the opposite side of the hinges.
16. Then, attach the three walls labeled "A", "B" and "C" to the platform labeled "bottom" using flathead screws. The wall labeled "B" should be the back wall. The screws should be placed where the pilot wholes were made (at the corners).
17. Place the piece labeled "top" (with the swivel wheel facing down) on top of the three walls. Screw this piece to the three walls.
18. Then, place the 1 inch piece (leftover from cutting the doors) at the top, where the door piece should be placed.
19. Then, attach the doors by screwing the hinged into the sides labeled "A" and "C". Half of the hinge should be on the door and the other half should be on the walls labeled "A" and "C".
20. The doors should be attached directly under the leftover 1 inch piece.

21. Measure and cut the molding pieces to 12 inches.
22. Then, miter each end to make and fit a corner.
23. Using wood glue, attach molding pieces to the top and bottom of the jewelry box.
24. Let dry for 8 hours.
25. Then, apply one final coat of Linseed oil to the outside of the box.



Jewelry Box
Scale 1:3